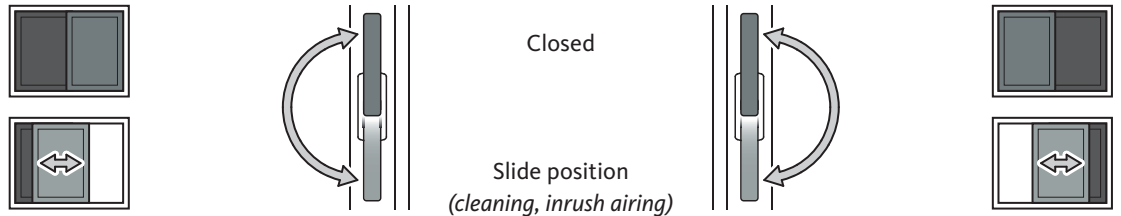


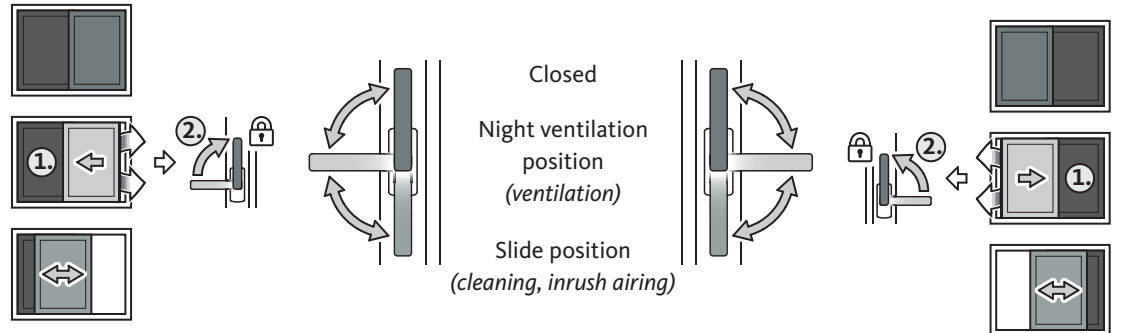
EN Lift&Slide hardware

Operation and maintenance instructions

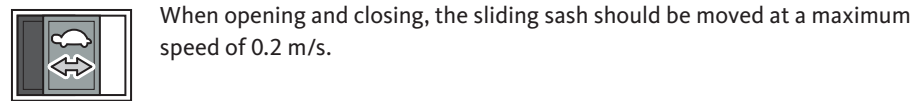
Operation of Lift&Slide hardware



Operation of Lift&Slide hardware with night ventilation function



Operation of Lift&Slide hardware with SPEED Limiter safety device

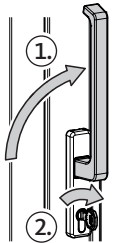


Operation of Lift&Slide hardware with profile cylinder

The Lift&Slide system is locked as follows:

- Ensure the sliding sash is completely closed and rotate the handle into the closed position ①.
- Turn the key in the profile cylinder to lock the sliding sash ②.

The sliding sash will only be locked properly if the sliding door is completely closed and the handle is in the closed position. Unlocking follows the same procedure in reverse.



Translation of
the original
instructions

Please pass the
document on to
the user



Maintenance

You have fitted a Lift&Slide door with high quality Lift&Slide hardware from Gretsch-Unitas Baubeschläge GmbH.

Like any other building element, a Lift&Slide door is subject to normal wear.

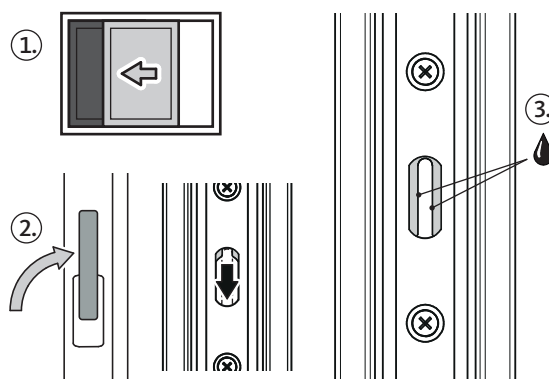
The smooth and easy movement of the Lift&Slide hardware and the service life of your Lift&Slide door largely depend on its regular maintenance and care.

NOTE

The bogies of the Lift&Slide hardware are maintenance-free.

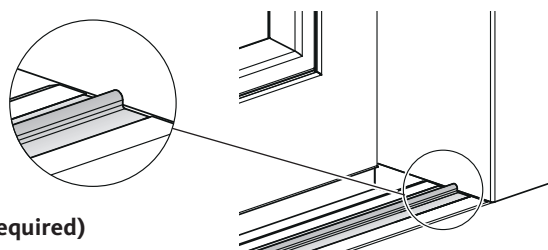
Grease the lock (1x annually)

- Open the sliding sash ①
- Rotate the handle into the closed position ②
- Grease the insides of the connecting rod (in the recesses on the main closing edge of the sliding sash, opposite the frame cam) using a **non-resinating** grease that does not impair the corrosion protection of the hardware parts ③ (e.g. LUMO Special Grease 8559/1 by Zeller + Gmelin).



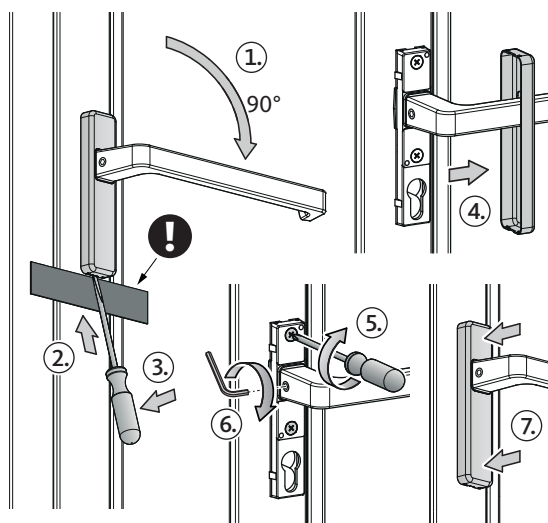
Clean the roller track (as required)

- Keep the roller track free of coarse dirt and contaminants.
- Do not use any aggressive cleaning agents when cleaning.



Tightening the handle (1x annually and as required)

- Rotate the handle to 90° and keep it firmly held in this position ①
- Insert the blade of a screwdriver under the cover and use a piece of wood or similar to carefully lever the cover off the handle using the screwdriver ② ③
- Slide the cover to the side ④
- Use the screwdriver to tighten both screws so that they are hand-tight ⑤
- Use the Allen key to tighten the threaded pin so that it is hand-tight ⑥
- Push the cover back on the rosette until it engages top and bottom with an audible click. It must be fully clipped into place and flush with the handle ⑦



We recommend you conclude a service contract.

We recommend that the glazing and window finish are regularly checked over and damage made good.

If problems should arise that mean safe functioning of the Lift&Slide element is no longer guaranteed, please call in your window specialist without delay.

The hardware parts and gaskets on the sliding element must not be painted or coated.

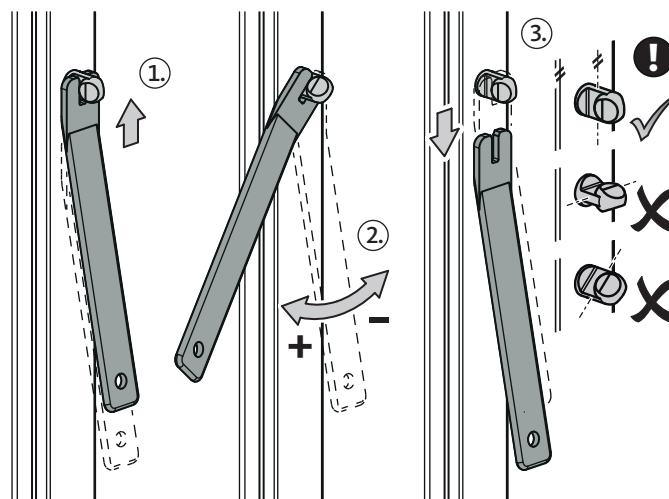
Adjusting the gasket pressure on the main closing edge (for timber sashes only)

- Apply the frame cam wrench to the frame cam (1)

Adjust the gasket pressure as follows:

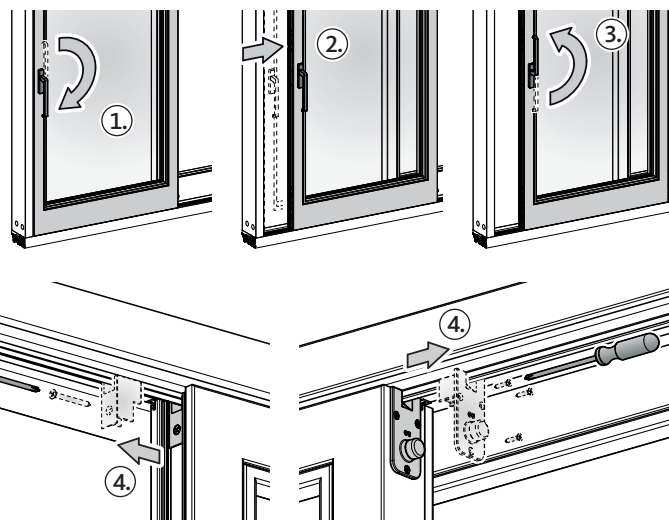
- To increase the gasket pressure, rotate the frame cam wrench **clockwise** (2)
- To reduce the gasket pressure, rotate the frame cam wrench **anticlockwise** (2)

Make sure that the frame cam is in a vertical position following adjustment (3)!



Removing the sliding sash

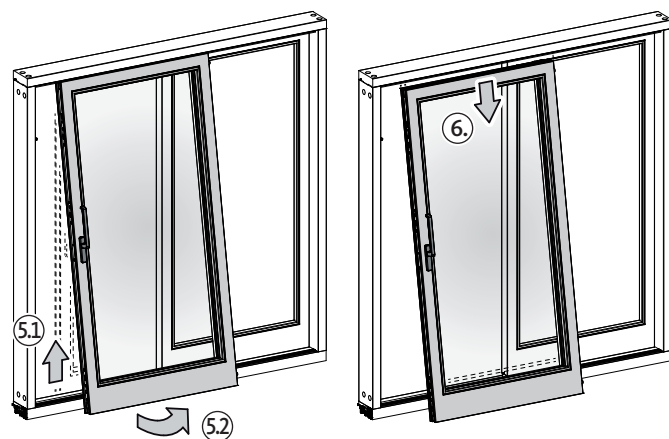
- Turn the handle into the slide position (1)
- Open the sliding sash to approximately a quarter of the opening width (2)
- Turn the handle into the closed position (3)
- Unscrew the screws from the upper guides (4)
- Slide the upper guides out of the sliding sash (4)



CAUTION

The sliding sash is very heavy. Removal should therefore be carried out by at least two persons!

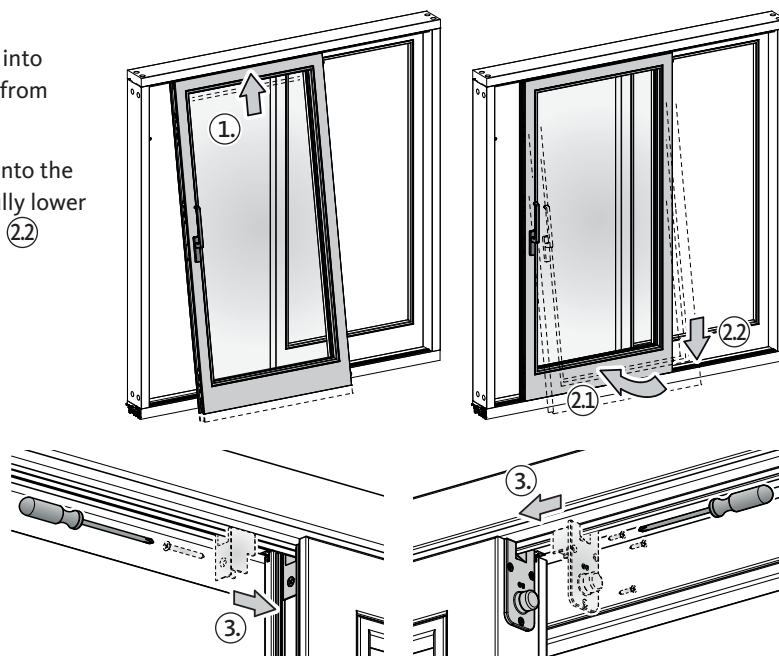
- Lift the sliding sash (5.1) then swivel it inward and downward to remove (5.2)
- Lower the sliding sash, removing it from the upper guide track (6)





Fitting the sliding sash

- Insert the sliding sash into the upper guide track from beneath (1).
- Pivot the sliding sash into the system (2.1) and carefully lower it onto the roller track (2.2).
- Slide the upper guides into the sliding sash laterally (3).
- Use the screws provided to fasten the upper guides to the sliding sash (3).



Safety instructions



! DANGER

Risk of falling out of the sliding sash when open!

Do not leave the sliding sash unattended when it is open. Keep children away from the sliding sash when open!



! WARNING

Risk of crushing and entrapment!

When closing the sliding sash, ensure that no one is reaching between the sash and frame. Keep children away from the sliding sash!



! WARNING

Risk of injury and of damage to the Lift&Slide element if the sliding sash is opened and closed in an uncontrolled manner.

Guide the sliding sash by hand over its entire movement until it is in the final closed or opening position.



! WARNING

Risk of injury and of damage to the Lift&Slide element if the sliding sash is subject to excessive load.

Do not put any additional weight load on the sliding sash.



! WARNING

Risk of injury and of damage to the Lift&Slide element caused by objects.

Do not wedge or prop the sash open by placing an object between the sliding sash and frame.

Warranty

Always observe the warning signs and follow the safety and operating instructions.

It is mandatory to observe these instructions in order to maintain the warranty in the event of a claim.

Editor:

Gretsch-Unitas GmbH

Baubeschläge

Johann-Maus-Str. 3

D-71254 Ditzingen

Tel. +49 (0) 71 56 3 01-0

Fax +49 (0) 71 56 3 01-293

www.g-u.com